

The bin extension that maintains aisle monitor viewing

- ▶ Accommodates four 22" roller bags
- ▶ Maintains existing line-of-sight to aisle monitor by outboard seated passenger
- ▶ Increase safety by eliminating current bin overhang
- ▶ New design updates the look of Boeing 737 and 757 aircraft interiors
- ▶ Retrofit does not require removal of bins, PSUs, seats or ceiling panels
- ▶ Inexpensive solution to improve stowage capacity
- ▶ Overnight installation

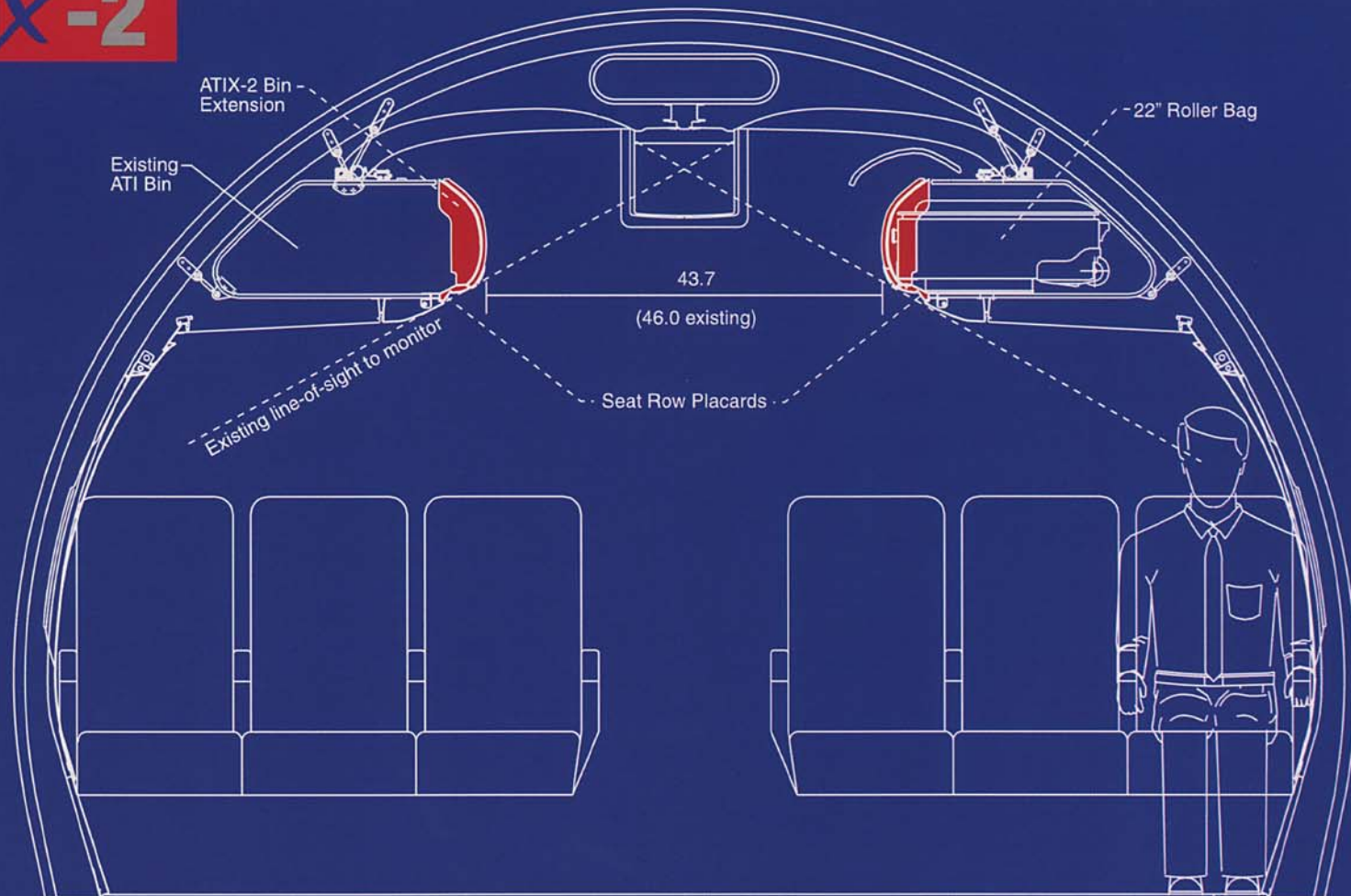
Need a fast, cost-efficient way to modernize your Boeing 737 or 757 aircraft interiors that maximize bin space and improves safety? The ATIX-2 upgrade kit is your answer. Contemporary style doors with new low-maintenance latches and extension assemblies can be installed in less than a day.



Bin shelf extensions increase shelf volume by 11 percent and eliminate unsafe overhead stowage without hindering line-of-sight to ceiling-mounted video monitors. The result is a fresh, new image and increased stowage capacity that provides quicker, safer passenger baggage loading.

HEATHTECNA
AIRCRAFT INTERIOR SOLUTIONS





Features and Specifications

- A 2.7-inch increase in shelf width results in an 11 percent gain in stowage capacity
- Safe "over-shelf" stowage volume expands by 11 percent
- Each 60-inch bin holds four 22" roller bags
Overall dimensions: 24"x14"x10.2"
- Using existing door hinge/opening mechanisms saves on cost
- Low-maintenance latches ensure long-lasting performance
- Installation is quick and easy, an aircraft interior can be transformed in less than a day, making the ATIX-2 an affordable interior upgrade option



Comparison of Overhead Stowage

	ATIX-2 Modification	737-757 ATI Interior	A 320 (Ref. Data)
Bin Door Length in./(mm.)	60 (1524)	60 (1524)	41 (1041)
Shelf Width in./(mm.)	27.5 (699)	24.9 (632)	28.6 (726)
Number of Packed 22" Roller Bags per bin door (Bag size 24"Lx14"Wx10.2"D)	4 inbd/outbd stowage	2 fwd/aft stowage	1 fwd/aft stowage
Shelf to Door Surface Overhang in./(mm.)	1.6 (41)	3.4 (86)	0.6 (15)
Safe "Overshelf" Volume per 60 in. bin length (cu.ft.)	9.8 (0.278)	8.8 (0.249)	10.4 (0.295)
"Non-Safe" Volume per Bin per 60 in. bin length (cu.ft.)	0.4 (0.011)	1.0 (0.028)	0.1 (0.003)